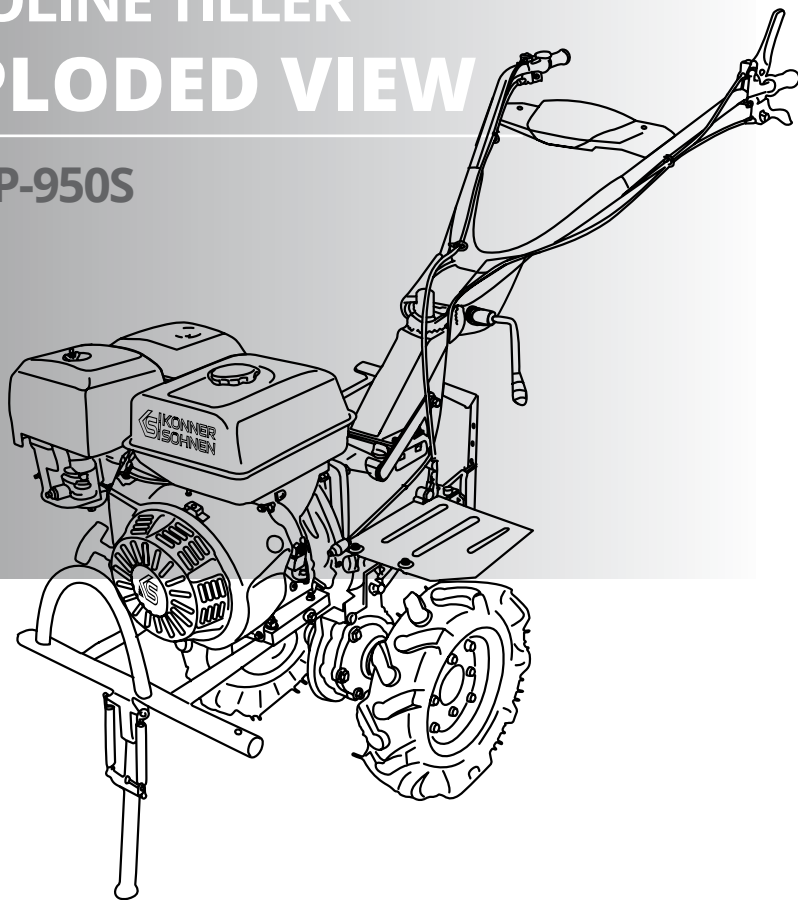


GASOLINE TILLER EXPLODED VIEW

KS 7HP-950S



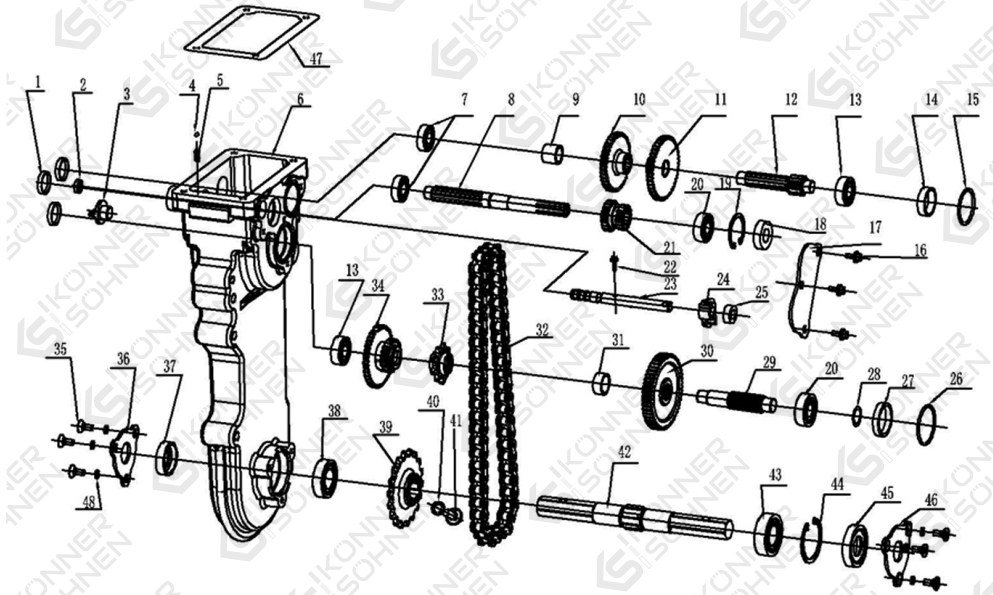
TRADITIONELLE DEUTSCHE QUALITÄT

CONTENTS

1. Gearbox assembly parts.....	2
2. Engine power part.....	5
3. Support frame part.....	6
4. Armrest seat part.....	7
5. Connecting frame part.....	9
6. Transmission part.....	10
7. Fender part.....	11
8. Rubber tire part.....	12
9. Blades part.....	13

! This material is for informational purposes only and is not an instruction. The connection of the equipment in each case must be performed by a certified electrician, in accordance with local laws and regulations. Before connecting, we urge you to read the recommendations in the manual for the generator. The manufacturer is not responsible for improper connection of equipment, and is not responsible for possible material and physical damage that may occur as a result of improper installation, connection or operation of equipment.

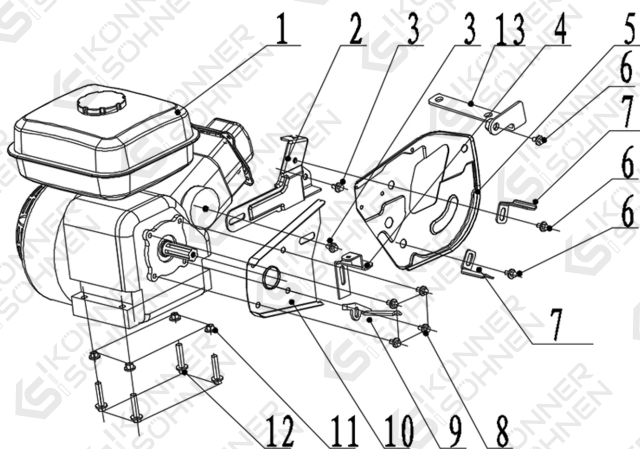
1. GEARBOX ASSEMBLY PARTS



No	REF. No	DESCRIPTION	QTY
1	KS 7HP-950S.1.1	Dustproof rubber(big) $\varnothing 28*\varnothing 24*6$	3
2	KS 7HP-950S.1.2	Dustproof rubber(small) $\Phi 16*\Phi 13.5*5.5$	1
3	KS 7HP-950S.1.3	Oil stopper	1
4	KS 7HP-950S.1.4	Steel ball $\Phi 6.3$	1
5	KS 7HP-950S.1.5	Shift fork spring ($\Phi 1*\Phi 6*20$)	1
6	KS 7HP-950S.1.6	Transmission gearbox	1
7	KS 7HP-950S.1.7	Deep groove bearing 6002	2
8	KS 7HP-950S.1.8	Main shaft	1
9	KS 7HP-950S.1.9	Bushing I $\Phi 18.5*\Phi 23*18$	1
10	KS 7HP-950S.1.10	Second gear	1
11	KS 7HP-950S.1.11	One gear	1
12	KS 7HP-950S.1.12	Secondary shaft	1
13	KS 7HP-950S.1.13	Deep groove bearing 6202	2
14	KS 7HP-950S.1.14	Secondary shaft bushing $\Phi 30*\Phi 35*9$	1
15	KS 7HP-950S.1.15	O-ring 40*2.65	1
16	KS 7HP-950S.1.16	Bolt M6*12	3
17	KS 7HP-950S.1.17	Sealing oil plate	1
18	KS 7HP-950S.1.18	Oil seal $\varnothing 17*\varnothing 40*6$	1
19	KS 7HP-950S.1.19	Hole retaining ring 40	1
20	KS 7HP-950S.1.20	Deep groove bearing 6203	2
21	KS 7HP-950S.1.21	Main duplicate gear	1
22	KS 7HP-950S.1.22	Bolt M6*20	1
23	KS 7HP-950S.1.23	Shift fork shaft	1
24	KS 7HP-950S.1.24	Shift fork	1
25	KS 7HP-950S.1.25	Oil seal $\varnothing 12*\varnothing 22*6$	1
26	KS 7HP-950S.1.26	O-ring 45*2.65	1
27	KS 7HP-950S.1.27	Drive shaft bushing $\Phi 35x\Phi 41x9$	1
28	KS 7HP-950S.1.28	Non-standard gasket $\Phi 17.5x\Phi 26x0.5$	1
29	KS 7HP-950S.1.29	Drive shaft	1
30	KS 7HP-950S.1.30	Drive gear	1

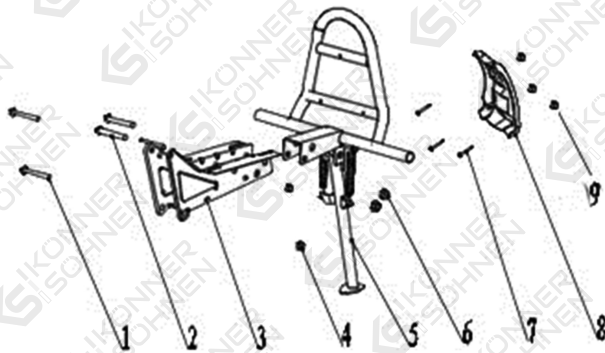
No	REF. No	DESCRIPTION	QTY
31	KS 7HP-950S.1.31	Drive shaft bushing $\phi 20.5 \times \phi 26 \times 12$	1
32	KS 7HP-950S.1.32	Chain 52 groups	1
33	KS 7HP-950S.1.33	Driving sprocket	1
34	KS 7HP-950S.1.34	Reverse duplicate gear	1
35	KS 7HP-950S.1.35	Screw M8*1.25*16	6
36	KS 7HP-950S.1.36	Dust cover $\Phi 64$ mm	1
37	KS 7HP-950S.1.37	Oil seal $\Phi 25 \times \Phi 41 \times 9$	1
38	KS 7HP-950S.1.38	Deep groove bearing 6005	1
39	KS 7HP-950S.1.39	Driven sprocket	1
40	KS 7HP-950S.1.40	Aluminum gasket $\phi 10.5 \times \phi 15 \times 2$	1
41	KS 7HP-950S.1.41	Bolt M10*1.25*12	1
42	KS 7HP-950S.1.42	Output shaft	1
43	KS 7HP-950S.1.43	Deep groove bearing 6205	1
44	KS 7HP-950S.1.44	Retaining ring 52	1
45	KS 7HP-950S.1.45	Oil seal $\Phi 25 \times \Phi 52 \times 9$	1
46	KS 7HP-950S.1.46	Dust cover $\Phi 65$ mm	1
47	KS 7HP-950S.1.47	Armrest seat gasket	1
48	KS 7HP-950S.1.48	Spring washer	6

2. ENGINE POWER PART



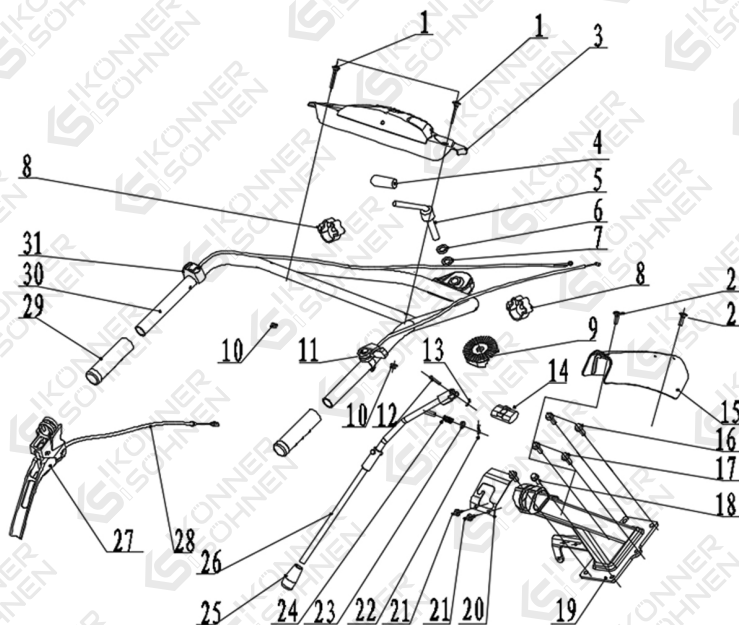
No	REF. No	DESCRIPTION	QTY
1	KS 7HP-950S.2.1	H170F Engine	1
2	KS 7HP-950S.2.2	Tension cable bracket	1
3	KS 7HP-950S.2.3	Hexagon flange bolt M6×12	2
4	KS 7HP-950S.2.4	Tensioner plate A	1
5	KS 7HP-950S.2.5	Driven pulley bottom plate	1
6	KS 7HP-950S.2.6	Hexagon flange bolt M8×12	3
7	KS 7HP-950S.2.7	Tensioner plate C	2
8	KS 7HP-950S.2.8	Hexagon flange bolt M8×16	4
9	KS 7HP-950S.2.9	Tensioner plate B	1
10	KS 7HP-950S.2.10	Driving pulley bottom plate	1
11	KS 7HP-950S.2.11	Hexagon flange nut M8	4
12	KS 7HP-950S.2.12	Hexagon flange bolt M8×35	4
13	KS 7HP-950S.2.13	Support for belt cover base	1

3. SUPPORT FRAME PART



No	REF. No	DESCRIPTION	QTY
1	KS 7HP-950S.3.1	Bolt M8*65	2
2	KS 7HP-950S.3.2	Bolt M10*65	2
3	KS 7HP-950S.3.3	Engine support	1
4	KS 7HP-950S.3.4	Hexagon flange nut M8	2
5	KS 7HP-950S.3.5	Bumper assembly	1
6	KS 7HP-950S.3.6	Hexagon flange nut M10	2
7	KS 7HP-950S.3.7	Cross recessed screw ST5.5*30	3
8	KS 7HP-950S.3.8	Bumper cover	1
9	KS 7HP-950S.3.9	Hexagon lock nut M6	3

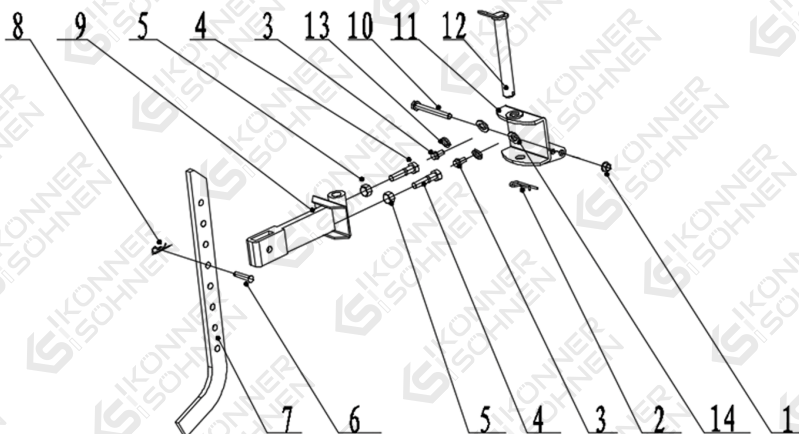
4. ARMREST SEAT PART



No	REF. No	DESCRIPTION	QTY
1	KS 7HP-950S.4.1	Hexagon socket screw M6*35	2
2	KS 7HP-950S.4.2	Hexagon socket screw M6*40	2
3	KS 7HP-950S.4.3	Armrest frame cover	1
4	KS 7HP-950S.4.4	Manipulating rubber sleeve	1
5	KS 7HP-950S.4.5	Locking handle	1
6	KS 7HP-950S.4.6	Spring washer 14*3.6	1
7	KS 7HP-950S.4.7	Flat washer 14*2.5	1
8	KS 7HP-950S.4.8	Line card	2
9	KS 7HP-950S.4.9	Tooth plate	1
10	KS 7HP-950S.4.10	Hexagon lock nut M6	2
11	KS 7HP-950S.4.11	Throttle switch assembly	1

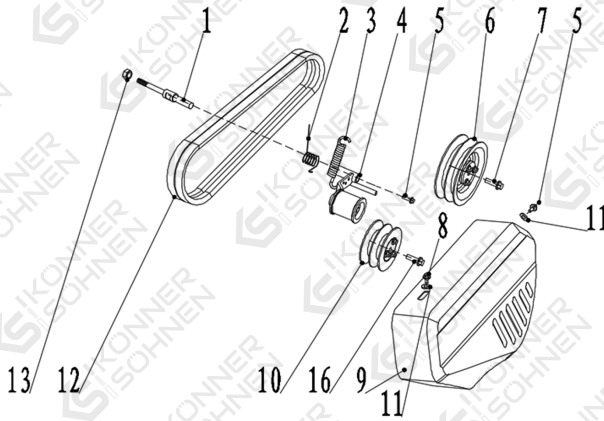
No	REF. No	DESCRIPTION	QTY
12	KS 7HP-950S.4.12	B-type Pin 5*24	1
13	KS 7HP-950S.4.13	R pin Φ 1.2*6*27	1
14	KS 7HP-950S.4.14	Limit block	1
15	KS 7HP-950S.4.15	Armrest seat cover	1
16	KS 7HP-950S.4.16	Bolt M8*1.25*25	2
17	KS 7HP-950S.4.17	Bolt M6*1.25*16	2
18	KS 7HP-950S.4.18	Bolt M8*1.25*20	2
19	KS 7HP-950S.4.19	Armrest seat	1
20	KS 7HP-950S.4.20	Shift cover	1
21	KS 7HP-950S.4.21	Hexagon flange bolt M6*8	2
22	KS 7HP-950S.4.22	R pin Φ 2*9*38	1
23	KS 7HP-950S.4.23	Flat washer 10	1
24	KS 7HP-950S.4.24	Shift lever return spring	1
25	KS 7HP-950S.4.25	Manipulating rubber sleeve	1
26	KS 7HP-950S.4.26	Shift lever assembly	1
27	KS 7HP-950S.4.27	Reverse handle (CE)	1
28	KS 7HP-950S.4.28	Clutch line	1
29	KS 7HP-950S.4.29	Handrail rubber sleeve	2
30	KS 7HP-950S.4.30	Armrest frame	1
31	KS 7HP-950S.4.31	Flameout switch	1

5. CONNECTING FRAME PART



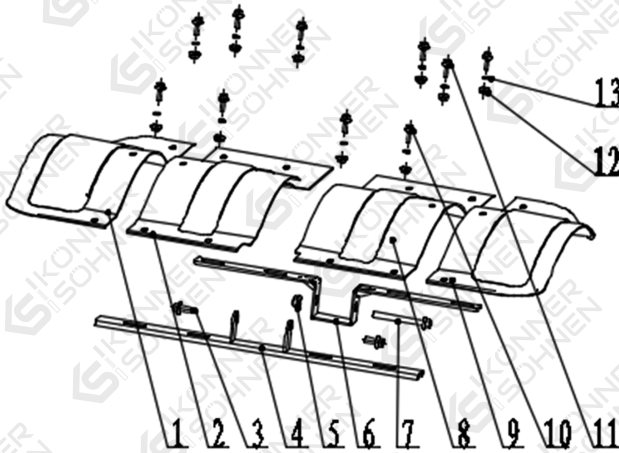
No	REF. No	DESCRIPTION	QTY
1	KS 7HP-950S.5.1	Hexagon flange nut M10	1
2	KS 7HP-950S.5.2	β -type pin $\phi 3 \times 20 \times 60$	1
3	KS 7HP-950S.5.3	Hexagon flange bolt M10 \times 25	2
4	KS 7HP-950S.5.4	Hexagon bolt M12 \times 50	2
5	KS 7HP-950S.5.5	Hexagon flange nut M12	2
6	KS 7HP-950S.5.6	B-type pin 10 \times 40	1
7	KS 7HP-950S.5.7	Resistance cultivator bar	1
8	KS 7HP-950S.5.8	β -type pin $\phi 2 \times 9 \times 38$	1
9	KS 7HP-950S.5.9	Connection bracket	1
10	KS 7HP-950S.5.10	Hexagon flange bolt M10 \times 85	1
11	KS 7HP-950S.5.11	Trailer	1
12	KS 7HP-950S.5.12	Trailer body latch	1
13	KS 7HP-950S.5.13	Spring washer 10*2.6	2
14	KS 7HP-950S.5.14	Flat Washers 10*2	2

6. TRANSMISSION PART



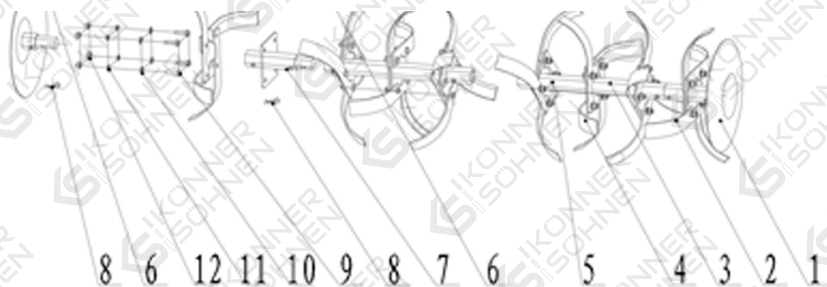
No	REF. No	DESCRIPTION	QTY
1	KS 7HP-950S.6.1	Tension wheel mandrel	1
2	KS 7HP-950S.6.2	Tensioner return spring	1
3	KS 7HP-950S.6.3	Tensioner tension spring	1
4	KS 7HP-950S.6.4	Tensioner assembly	1
5	KS 7HP-950S.6.5	Bolt M6*12	2
6	KS 7HP-950S.6.6	Driven pulley assembly	1
7	KS 7HP-950S.6.7	Bolt M8*1.25*20	2
8	KS 7HP-950S.6.8	bolt M6*10	1
9	KS 7HP-950S.6.9	Belt cover	1
10	KS 7HP-950S.6.10	Driving pulley assembly	1
11	KS 7HP-950S.6.11	Flat Washer 6*2	2
12	KS 7HP-950S.6.12	Toothed V belt	2
13	KS 7HP-950S.6.13	Hexagon flange nut M8	1

7. FENDER PART



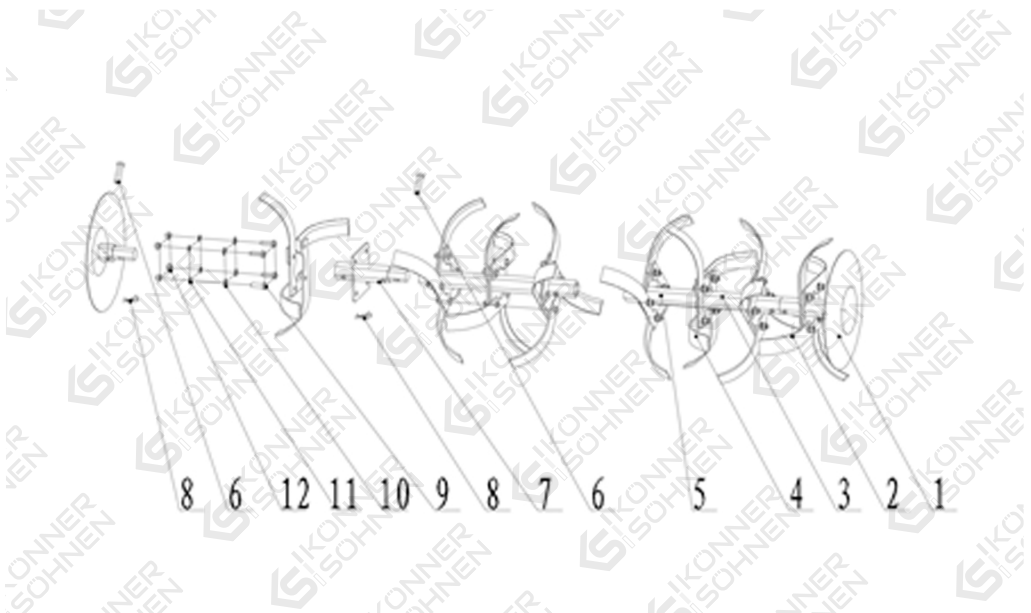
No	REF. No	DESCRIPTION	QTY
1	KS 7HP-950S.7.1	Left side fender	1
2	KS 7HP-950S.7.2	Left main fender	1
3	KS 7HP-950S.7.3	Hexagon flange bolt M8*12	2
4	KS 7HP-950S.7.4	Fender rear bracket	1
5	KS 7HP-950S.7.5	Hexagon flange nut M8	1
6	KS 7HP-950S.7.6	Fender front bracket	1
7	KS 7HP-950S.7.7	Hexagon flange bolt M8	1
8	KS 7HP-950S.7.8	Right main fender	1
9	KS 7HP-950S.7.9	Right side fender	1
10	KS 7HP-950S.7.10	Bolt M6*16	8
11	KS 7HP-950S.7.11	Hexagon flange bolt M6*12	2
12	KS 7HP-950S.7.12	Hexagon flange nut M6	10
13	KS 7HP-950S.7.13	Gasket for fenderΦ6	10

8. RUBBER TIRE PART



No	REF. No	DESCRIPTION	QTY
1	KS 7HP-950S.8.1	4.00-10 rubber tire	2
2	KS 7HP-950S.8.2	Inner hub	2
3	KS 7HP-950S.8.3	Wheel axle	4
4	KS 7HP-950S.8.4	Bolt M10*1.5*25	16
5	KS 7HP-950S.8.5	Spring washer 10*2.6	16
6	KS 7HP-950S.8.6	Flat Washer 10*2	16
7	KS 7HP-950S.8.7	Hexagon nut M10	16

9. BLADES PART



No	REF. No	DESCRIPTION	QTY
1	KS 7HP-950S.9.1	Disc	2
2	KS 7HP-950S.9.2	Right dry blade	16
3	KS 7HP-950S.9.3	Vice-cylinder	2
4	KS 7HP-950S.9.4	Left dry blade	16
5	KS 7HP-950S.9.5	Main cylinder	2
6	KS 7HP-950S.9.6	B type pin 8x40	6
7	KS 7HP-950S.9.7	Vice-cylinder	2
8	KS 7HP-950S.9.8	β -type pin $\varnothing 2 \times 9 \times 38$	6
9	KS 7HP-950S.9.9	Hexagon bolt M8x25	32
10	KS 7HP-950S.9.10	Flat pad 8	32
11	KS 7HP-950S.9.11	Spring pad 8	32
12	KS 7HP-950S.9.12	Hexagon nut M8	32

CONTACTS

konner-sohnen.com

Germany

info@dimaxgroup.de

Poland

info.pl@dimaxgroup.de

Ukraine

sales@ks-power.com.ua